



30 YEAR WARRANTY – VENT Apron Vent Deep Trough

Blue Building Solutions Ltd. t/a VENT warrants that VENT Apron Vent Deep Trough vents supplied by VENT will retain their mechanical function for a period in excess of 30 years, under natural conditions, from the date of purchase. Provided the Apron Vents are installed in accordance Design & Specification Guides supplied by VENT.

VENT warrants the VENT Apron Vents under the following terms & conditions:

- a. This warranty is given to consumers as defined in and who have the rights under the Consumer Guarantees Act 1993 and should be read with the statutory consumer guarantees contained in that Act.
- b. This warranty will apply to defects appearing within 30 years from the date of purchase & where notification of defects is received in writing within 28 Days of the defect appearing.
- c. Warranties will only be honoured if the VENT products in question were installed, used and maintained in accordance with VENT installation guides all of which are available on www.eboss.co.nz and on the VENT website www.vent.nz
- d. Warranties will not apply to damage caused by external physical agents, accidental damage or other Force Majeure.
- e. The sole & exclusive remedy with regard to the above warranty is limited to the repair or supply of replacement profiles at VENTs discretion

This warranty shall be construed and interpreted in accordance with New Zealand Law and shall be subject to the jurisdiction of New Zealand Courts only.

This warranty does not affect the statutory rights of consumers.

Control of Condensation in Buildings

Product Information Sheet

VENT Apron Batten – AB20DT

The VENT AB20DT is a Polypropylene Ventilated Apron Batten which enable warm air to escape from the lower roof void (fig A) or as a barge vent for Skillion Mono Pitch Roof types (Fig B). The AB20DT has an adhesive and flexible aluminium flashing which is designed to form to most cladding profiles and prevent water ingress on any pitch roof. The AB20DT has been designed with the recommended 4mm vents which will repel the ingress of nesting insects which can be a common occurrence in cavities. The **AB20DT** is designed to be compatible with roof cladding profiles with a trough depth of >38mm.

Fig A: Skillion Roof Barge Application

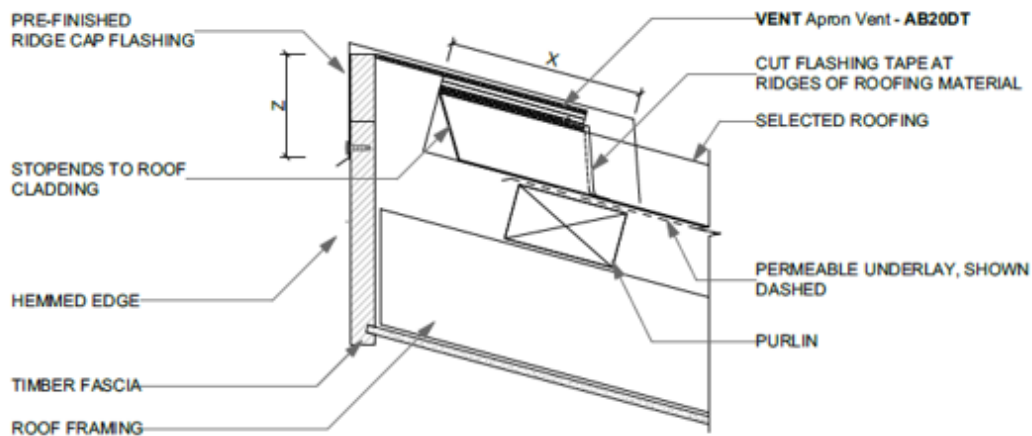
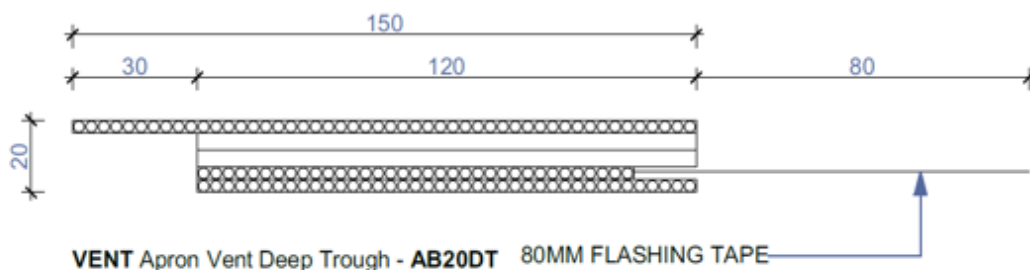


Fig B: Product Dimensions



Installation:

- 1) The AB20DT is placed over the top of the roof cladding.
- 2) The protective paper is then removed from the underside of the flashing tape which is then moulded to the shape of the roof cladding.
- 3) Additional fixing screw length is required to accommodate 20mm thickness of the AB20DT (and VB20 where applicable).
- 4) Remove all moisture and dust from the roof cladding before dressing down the aluminium soft edge.
- 5) The aluminium soft edge can be notched as required to suit the corrugate profile.
- 6) Minimum working Temperature to dress down the soft edge flashing is +5°
- 7) The aluminium soft edge can be notched or snipped as required to suit the metal roofing profile.
- 8) Soft edge flashing temperature resistance: -40° to +90°
- 9) The Apron or Barge flashing sits over the top of the AB20DT and fixed as shown in Figs A & B.
- 10) Flashings can exceed 200mm minimum requirement in order to conceal soft edge of Apron Vent.
- 11) Compatibility with the AB20DT and the chosen Ridge Capping System need to be checked with the roofing manufacturer supplying the ridge capping.
- 12) For technical assistance contact the VENT technical team

Benefits:

- Free Airflow of 8,000mm² per linear metre
- Releases hot air from roof voids and eliminates condensation
- For trough depths <38mm use an AB20
- New Build or Renovation
- Easy to install – Manufactured in 1200mm lengths for easy handling
- Not visible when covered with flashing (*Flashing not included*)
- Insect proof – Recommended 4mm vents to prevent ingress of nesting insects
- Manufactured in recycled plastic for affordability
- 30 year warranty