

VENT EAVES COMB FILLER G1275

DESCRIPTION

The VENT Eaves Comb Filler G1275 is designed with flexible fingers which adjust to fill the gaps left when using profiled tiles or steel roof cladding. This prevents entry by birds and large insects beneath the tiles.

FEATURES

- More cost-effective than using purpose-made profiled fillers.
- Allows free-flow of air into the roof cavity, reducing the risk of moisture build-up.
- Profiles to the underside of the roof covering.
- 1m lengths for ease of installation.

SCOPE OF USE

- Commercial and residential application.
- Suitable for use on all roof types.

WARRANTY

- 30 years

MAINTENANCE

- No maintenance requirements.

SPECIFICATIONS

Colours	Black
Packing details	50 Meters - 50x1 Meter lengths per box
Weight	4g per box
Material	Polyethylene
Manufacturing process	Injection moulded

VENT Eaves Comb Filler G1275



VENT Eaves Comb Filler G1275 with VENT Over Fascia Vent G1200N

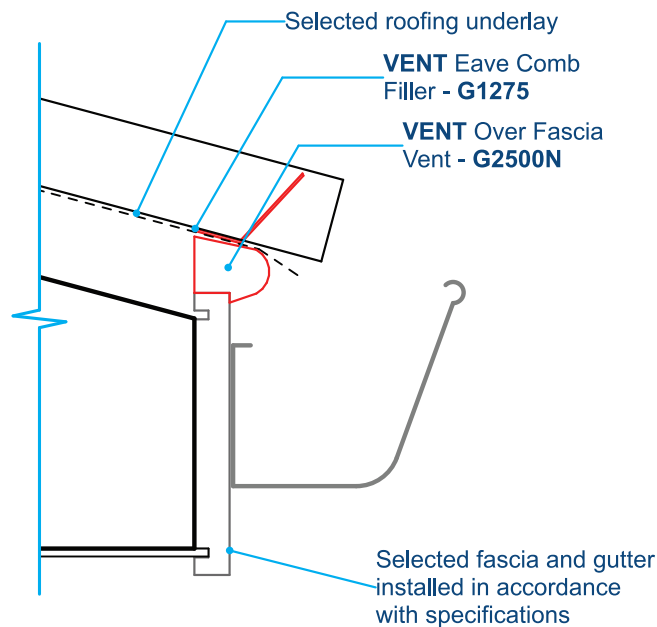


VENT EAVES COMB FILLER G1275

INSTALLATION

1. The G1275 Eaves Comb Filler should be nailed or screwed to the top of the fascia board or over-fascia vent through the fixing holes provided along the full length of the eaves and joined where necessary.
2. It can be fixed over a paper support tray if required.

Figure A: G1275 Eaves Comb Filler. Installed with Over Fascia Vents



Note: Diagrams are for guidance purposes only. The overall design is the responsibility of the designer as there are often other factors to consider.